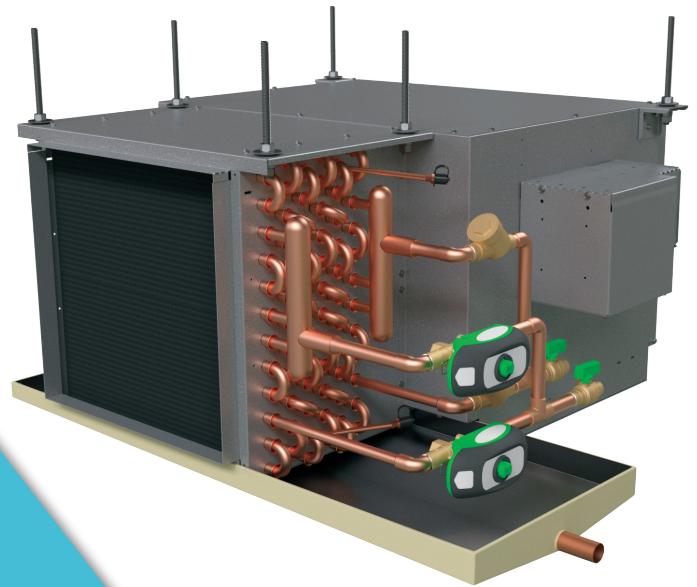




A **NIBE** GROUP MEMBER

Hi-Performance Series Fan Coils



600 CFM TO 2000 CFM

Ideal for applications where higher capacities, additional static capability, and higher airflows are required.

IEC's Hi-Performance Series Fan Coils offer:

- Eight Nominal Sizes
- Horizontal and Vertical Configurations
- Exposed and hideaways units



Multi-family
Residential



Office



K-12
Education

Hi-Performance Series

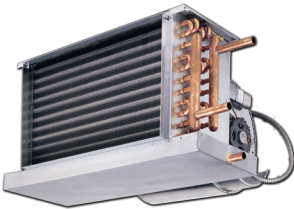
FAN COILS

Application Fit

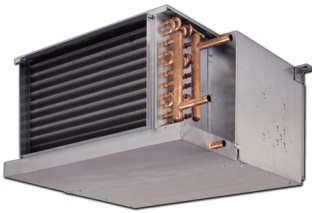
- Multiple cabinet choices are available in 8 nominal sizes for application in a variety of room layouts.



Hi-Performance Vertical Cased Series (VEY) is ideal for air conditioning in apartments, offices, schools and many other applications. Top supply units are often located in mechanical rooms and supply air is ducted into multiple zones. Front or bottom return units with filter frames are available.



Hi-Performance Hideaway Series (HHY) is installed above the ceiling with or without ducted supply air and open “soffit” return with an optional ceiling-mounted filter-grille.



Hi-Performance Hideaway with Plenum Series (HPY) is installed above the ceiling with or without ducted supply air and ducted return air. Rear or bottom return units with filter frames are available. The return air filter is either mounted on the unit plenum or installed in an optional ceiling filter-grille.



Hi-Performance Cabinet Series (HLY) is equipped with a painted cabinet suitable for under-ceiling exposed applications. Specially selected motor and blower designs make this unit especially suited for non-ducted applications.



Hi-Performance Horizontal Cased Series (HXY) is equipped with a galvanized cabinet suitable for above or below the ceiling and are ideal for ducted supply and return air.

Design Flexibility

- Wide variety of coil configurations match heating and cooling loads.
- Standard EC motor.
- Optional powder-coated paint finish colors and grilles for exposed units.
- Various airflow arrangements (front/bottom supply and rear/bottom return) meet design applications.
- Customizable cabinetry for renovation jobs to fit oversized valves and control packages.
- Outside air dampers available to meet ventilation requirements.
- Control valves and valve package options factory-installed to meet stringent specifications.
- Variety of insulation material to address IAQ.
- Optional 6” legs for VEY floor units.

Ease of Installation

- Optional factory assembled valve packages minimize the piping work at the job site.
- Optional unit mounted controls, service switches and fusing minimize the electrical work required on site.
- Units are factory tagged for clear identification on the job site.
- Opposite end connection units may minimize the field piping work on renovation jobs.

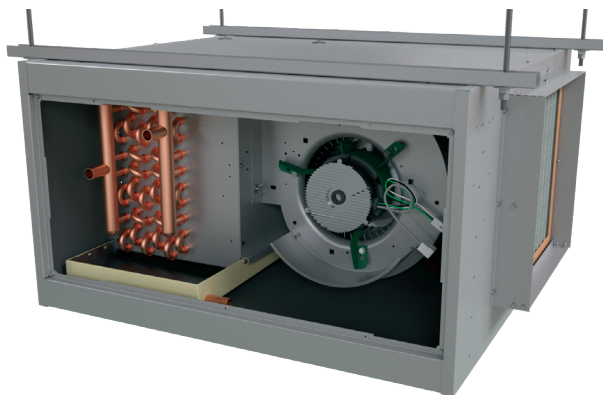
Quality and Safety

- Every unit tested and inspected at the factory for trouble free start-up.
- ETL listed and AHRI certified (where applicable).

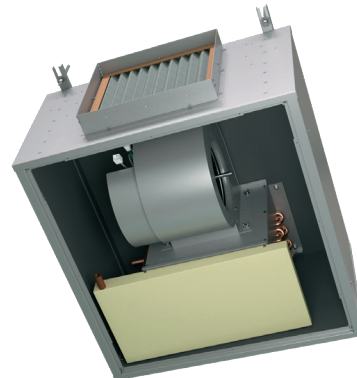
Ease of Service

- Components are accessible by simply removing the access panel.

HXY side panel access

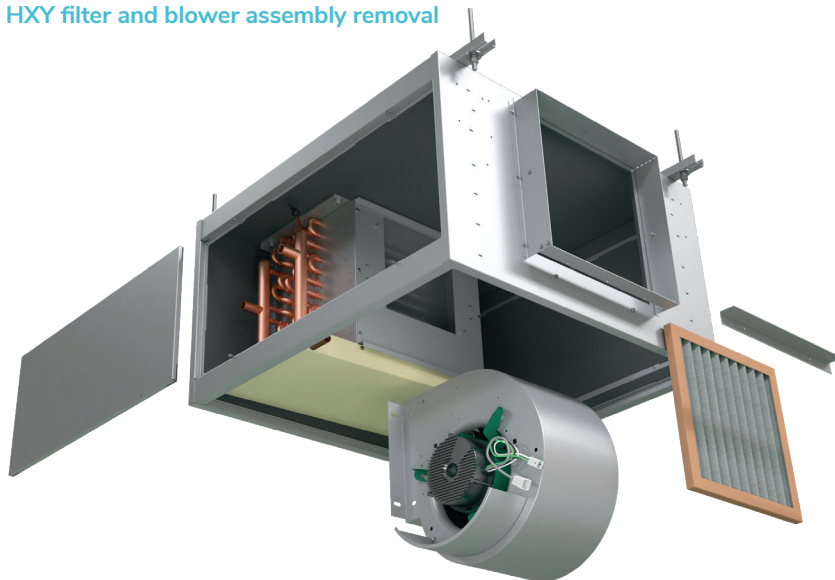


HXY bottom panel access



- Replace filters without tools.
- Side filter access available for HPY units.
- Blower assembly is removable from the rear of coil for service and cleaning.

HXY filter and blower assembly removal



Hi-Performance Series

FAN COILS

IEC's Green Standard:

- Environmentally friendly hydronic fan coil system (uses no refrigerants)
- High MERV filter option available
- Bipolar Ionizer
- Highly efficient EC Motors
- Outside air options
- Wi-Fi enabled, remote control thermostat options
- Anti-microbial drain pan coating option
- Recycled materials used in manufacturing processes whenever possible
- No HCFC foams or VOC paints used in manufacturing processes



24V Bipolar Ionizer



Venture Wi-Fi Thermostat



Contact your local IEC Sales Representative for further details and pricing applicable to this product. Visit our website (iec-okc.com) to find your local IEC Sales Rep.

IEC Part Number: I100-90002114
FL-040 Revision 6 (03/2022)

©2010-2022 International Environmental Corporation (IEC)



5000 W. I-40 Service Rd.
Oklahoma City, OK 73128
P: 405.605.5000
F: 405.605.5001
www.iec-okc.com